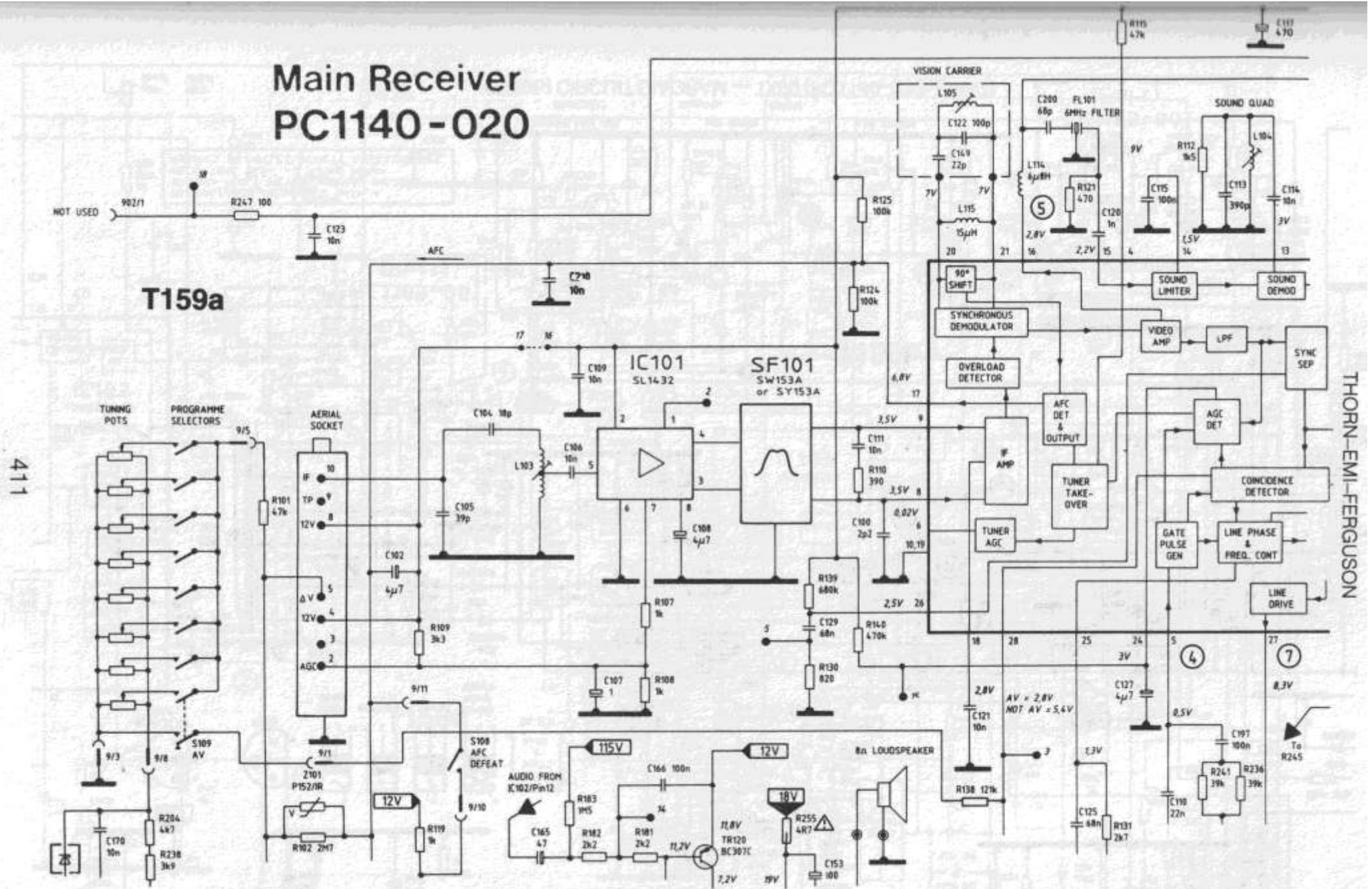


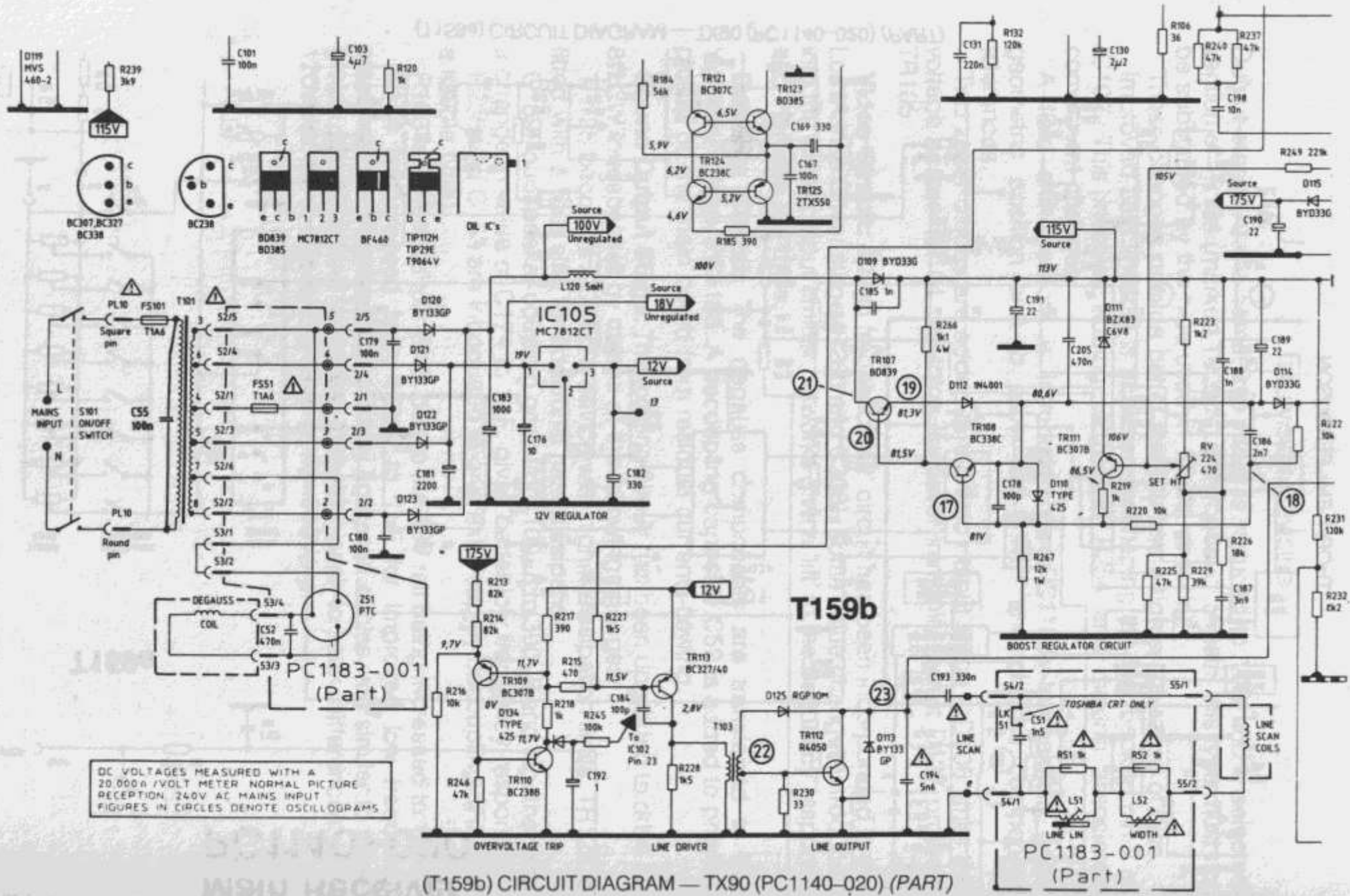
Main Receiver PC1140-020



(T159a) CIRCUIT DIAGRAM — TX90 (PC1140-020) (PART)

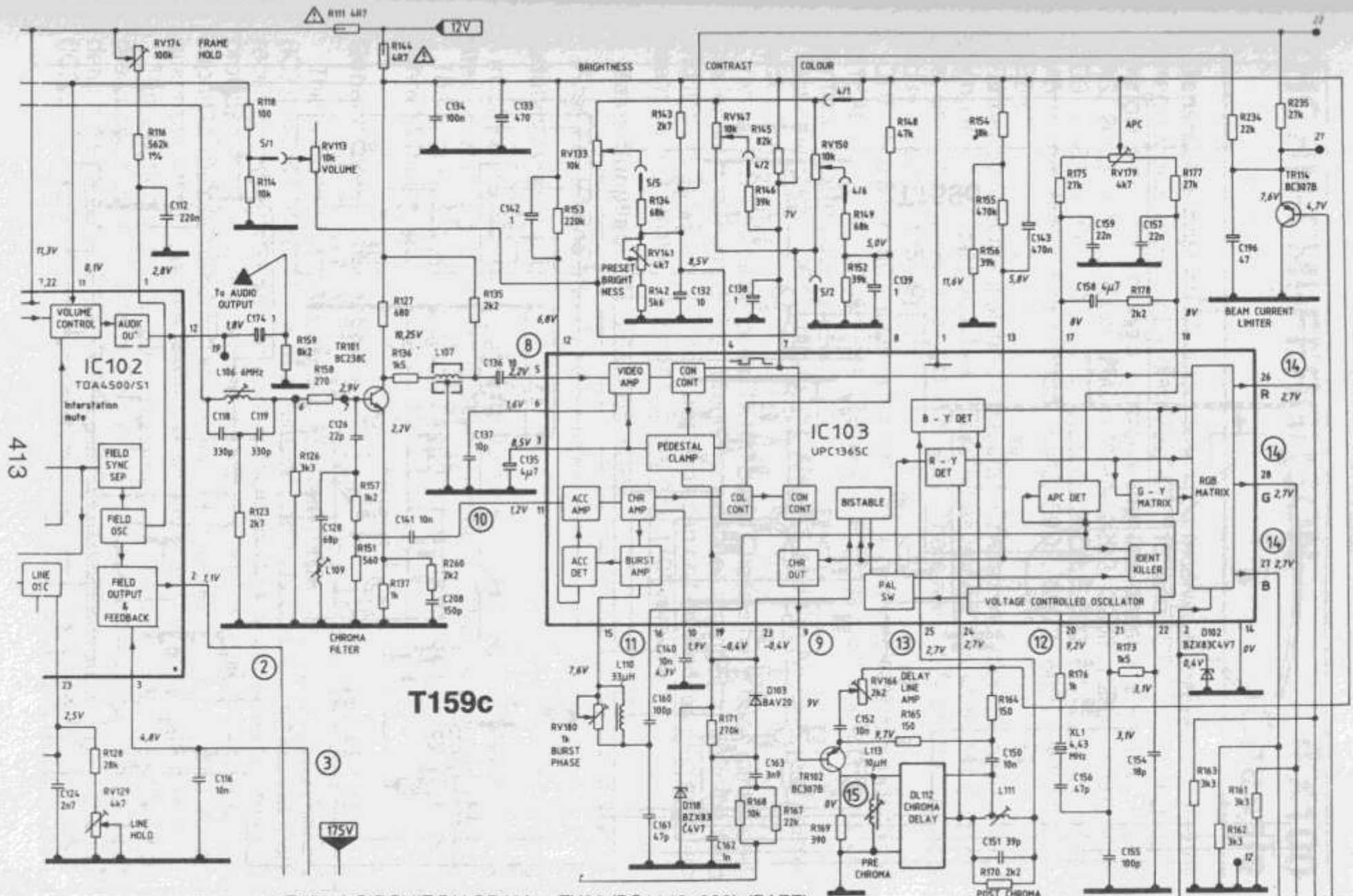
THORN-EMI-FERGUSON

411

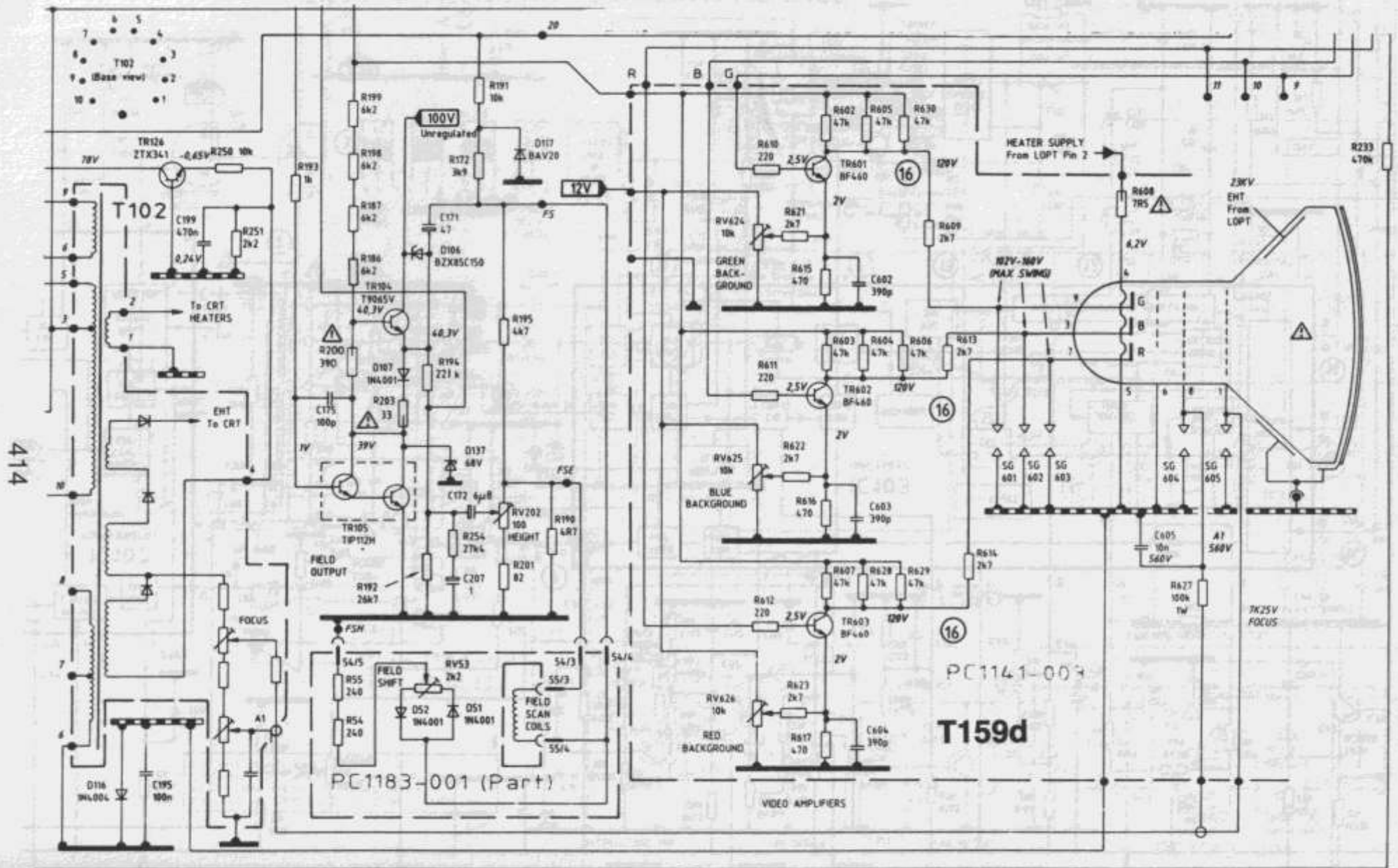


DC VOLTAGES MEASURED WITH A 20,000 μ VOLT METER NORMAL PICTURE RECEPTION 240V AC MAINS INPUT FIGURES IN CIRCLES DENOTE OSCILLOGRAMS

(T159b) CIRCUIT DIAGRAM — TX90 (PC1140-020) (PART)

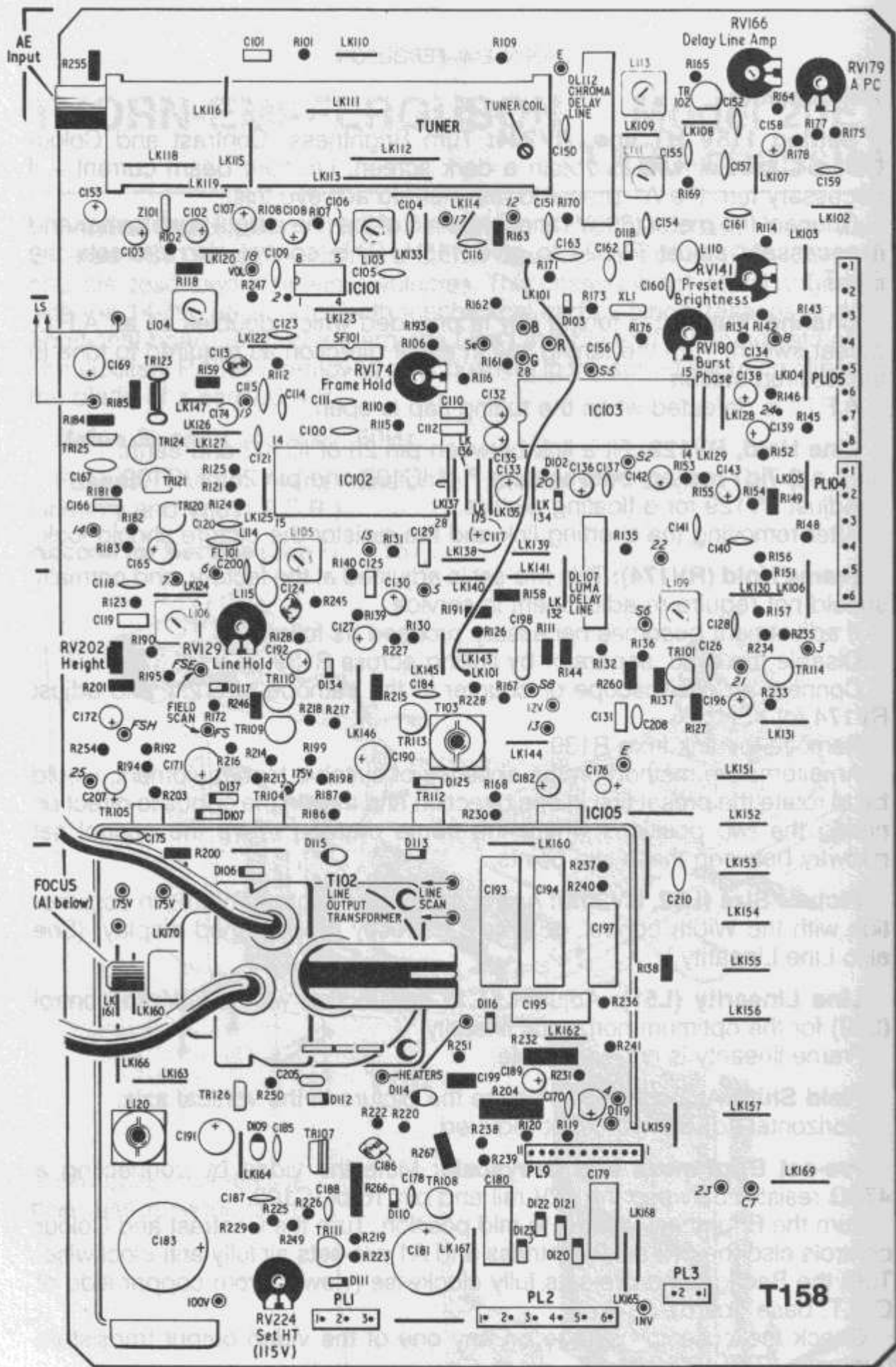


(T159c) CIRCUIT DIAGRAM — TX90 (PC1140-020) (PART)



TELEVISION SERVICING

(T159d) CIRCUIT DIAGRAM — TX90 (PC1140-020) (CONTINUED)



(T158) COMPONENT LAYOUT (MAIN BOARD) — TX90 (PC1140-020)

BLANK PAGE